

holsag®

Bulldog Arm Bench

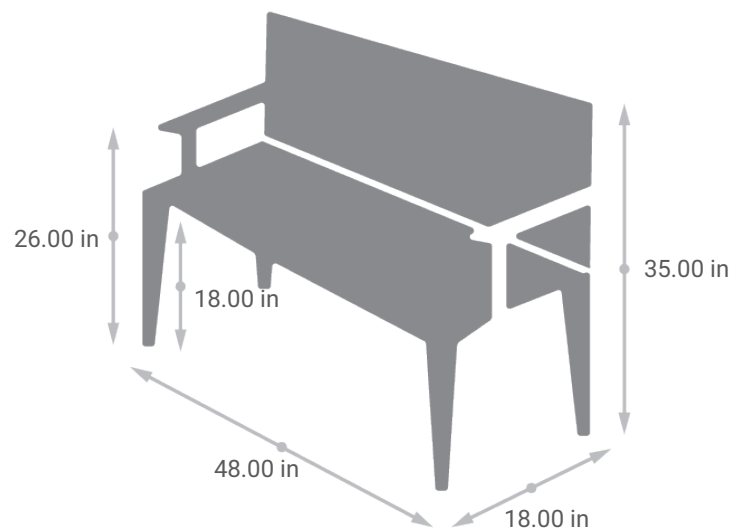


Features

- Strong, beautiful European Beech hardwood frame
- Sculpted wood seats for comfort
- Standard and custom stain options are available
- Two-tone stain is available for the Bulldog family
- Plush foam seat
- Solid mortise and tenon joints
- Seats are replaceable in the field
- Generous gap between the back and seat offers easy cleaning
- The antimicrobial finish prevents the absorption of germs, bacteria, & more
- Manufactured in North America

Bulldog Arm Bench Specifications

Overall Depth	18.50 in (46.99 cm)
Overall Width	48.50 in (123.19 cm)
Overall Height	35.00 in (88.90 cm)
Seat Depth	15.00 in (38.10 cm)
Seat Width	44.50 in (113.03 cm)
Seat Height	18.00 in (45.72 cm)
Arm Height	26.50 in (67.31 cm)
Arms Inside	46.00 in (116.84 cm)
Arms Outside	48.50 in (123.19 cm)
Weight	40.00 lbs (18.14 kg)



Custom Fabric Requirements

Style	Qty	Seat	Total
45-in Bench	1-10 Benches	1.6 yards	1.6 yards
45-in Bench	10+ Benches	0.8 yards	0.8 yards
60-in Bench	1-10 Benches	2.1 yards	2.1 yards
60-in Bench	10+ Benches	1.1 yards	1.1 yards

Warranty & Standards

View [Holsag warranty information](#). California Customers, see: [Proposition 65 Warning](#); Optional California TB 133 compliance if required.

Fabrics



Available in 1000+ [fabric options](#), choose from a wide range of styles, colors, and patterns.

C.O.M. Upholstery: Yardage is estimated using 54-inch (137 cm) wide fabric, but actual yardage may vary. Once fabric is selected, exact yardage will be provided. A flat \$50 Duty and Custom fee applies.

Fabric yardage: [View Fabric Requirements](#)

Wood Stains



Select from 22 [standard stain options](#), all featuring an antimicrobial finish. Custom stain matching is also available (additional charges may apply).

Add-Ons



Custom Etching

Product Family



[Bulldog Arm Chair](#)



[Bulldog Backless Barstool](#)



[Bulldog Barstool](#)



[Bulldog Bench](#)



[Bulldog Chair](#)