

holsag®

Kristi Barstool

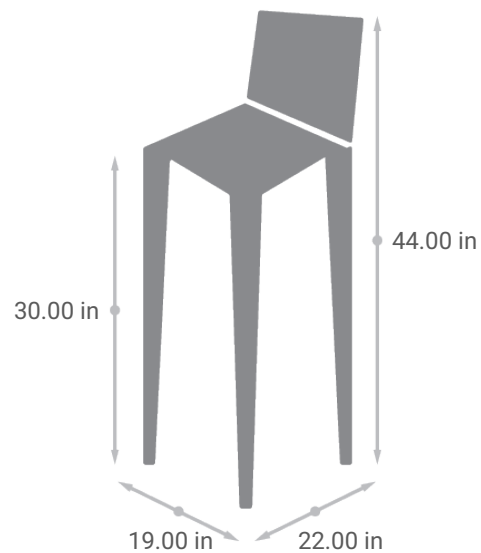


Features

- Strong, beautiful European Beech hardwood frame
- Available in two sizes: 24" & 30"
- Available with a solid wood seat and back or a plush, polyurethane foam-padded seat and back
- Metal to metal construction provides unmatched durability
- Chrome, brass, and black foot rings are available
- Custom seat heights, ranging from 24 inches (61 cm) to 30 inches (76.2 cm), are available
- Nine-step finishing process ensures the stool will stand up in any commercial environment
- The antimicrobial finish prevents the absorption of germs, bacteria, & more
- Manufactured in North America

Kristi Barstool Specifications

Overall Depth	22.00 in (55.88 cm)
Overall Width	19.00 in (48.26 cm)
Overall Height	44.00 in (111.76 cm)
Seat Depth	16.50 in (41.91 cm)
Seat Width	17.50 in (44.45 cm)
Seat Height	30.00 in (76.20 cm)
Weight	23.00 lbs (10.43 kg)
Capacity	300.00 lbs (136.08 kg)



Custom Fabric Requirements

Qty	Inside	Seat	Total
1-10 Barstools	0.55 yard	0.75 yard	1.3 yards
10+ Barstools	0.25 yard	0.4 yard	0.65 yard

Warranty & Standards

View [Holsag warranty information](#). California Customers, see: [Proposition 65 Warning](#); Optional California TB 133 compliance if required.

Fabrics



Available in 1000+ [fabric options](#), choose from a wide range of styles, colors, and patterns.

C.O.M. Upholstery: Yardage is estimated using 54-inch (137 cm) wide fabric, but actual yardage may vary. Once fabric is selected, exact yardage will be provided. A flat \$50 Duty and Custom fee applies.

Fabric yardage: [View Fabric Requirements](#)

Wood Stains



Select from 22 [standard stain options](#), all featuring an antimicrobial finish. Custom stain matching is also available (additional charges may apply).

Add-Ons



Custom Etching

Product Family



[Kristi Side Chair](#)