

holsag®

Palmanova Bench

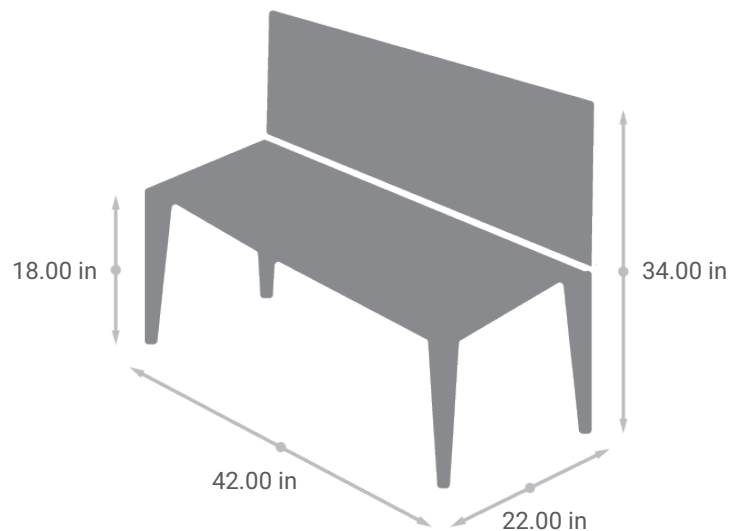


Features

- Strong, beautiful European Beech hardwood frame
- Available with or without armrests (Arm Bench or Side Bench)
- 22 Wood stain options (custom stain matching also available)
- 1,000+ Fabric options (C.O.M. upholstery also available)
- Plush foam seat and foam back provide long-term comfort
- Solid mortise and tenon joints
- 9-Step finishing process ensures the bench is ready for any commercial environment
- Manufactured in North America
- Antimicrobial finish helps prevent the absorption of germs, bacteria, and more

Palmanova Bench Specifications

Overall Depth	22.00 in (55.88 cm)
Overall Width	42.00 in (106.68 cm)
Overall Height	34.00 in (86.36 cm)
Seat Depth	16.75 in (42.55 cm)
Seat Width	42.00 in (106.68 cm)
Seat Height	18.75 in (47.63 cm)
Weight	40.60 lbs (18.42 kg)
Capacity	450.00 lbs (204.12 kg)



Warranty & Standards

View [Holsag warranty information](#). California Customers, see: [Proposition 65 Warning](#); Optional California TB 133 compliance if required.

Fabrics



Available in 1000+ [fabric options](#), choose from a wide range of styles, colors, and patterns.

C.O.M. Upholstery: Yardage is estimated using 54-inch (137 cm) wide fabric, but actual yardage may vary. Once fabric is selected, exact yardage will be provided. A flat \$50 Duty and Custom fee applies.

Fabric yardage: [View Fabric Requirements](#)

Wood Stains



Select from 22 [standard stain options](#), all featuring an antimicrobial finish. Custom stain matching is also available (additional charges may apply).